

Project Planning Sheet

Linear Guideway

Editor:		Date:	
Company:		Contact Person:	
Street:		Phone:	
Town:		Telefax:	
Web:		E-Mail:	
Quantity:		Time schedule:	
Project:		Project no.:	

Application

<input type="checkbox"/>	<input type="checkbox"/>
<input type="checkbox"/>	<input type="checkbox"/>

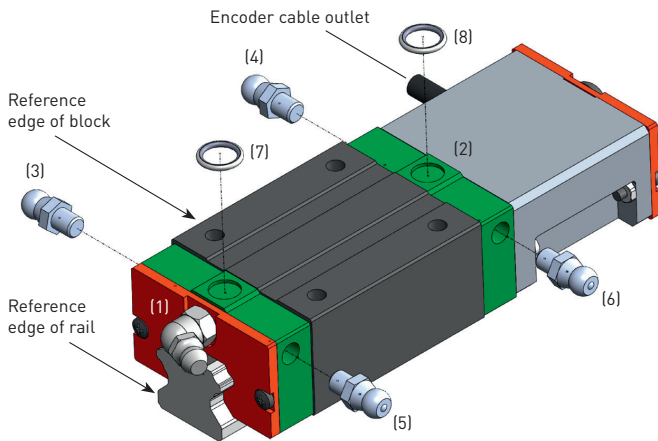
Mounting Position			
Horizontal <input type="checkbox"/>	Wall-mounting <input type="checkbox"/>	Vertical <input type="checkbox"/>	System Parameters za = <input type="text"/> (mm) ya = <input type="text"/> (mm) s = <input type="text"/> (mm) w = <input type="text"/> (mm)
Upside down <input type="checkbox"/>	Rotation around x-axis <input type="checkbox"/>	Rotation around y-axis <input type="checkbox"/>	Center of Gravity m = <input type="text"/> (kg) xm = <input type="text"/> (mm) ym = <input type="text"/> (mm) zm = <input type="text"/> (mm)
			Angle α = <input type="text"/> (°) β = <input type="text"/> (°)

Operating Temperature: min. <input type="text"/> °C	max. <input type="text"/> °C
Special Operating Conditions (e.g. Dust, Chips Fluid): <input type="text"/>	

Block Type		
Series Miniature guideway <input type="checkbox"/> Ball guideway <input type="checkbox"/> Roller guideway <input type="checkbox"/>	Preload Class Clearance <input type="checkbox"/> Light preload Z0 <input type="checkbox"/> Medium preload ZA <input type="checkbox"/> Heavy preload ZB <input type="checkbox"/>	Accuracy Class C <input type="checkbox"/> H (standard) <input type="checkbox"/> P <input type="checkbox"/>
Lubrication Oil <input type="checkbox"/> Grease <input type="checkbox"/>	Rail type Mounting from top R <input type="checkbox"/> Mounting from bottom T <input type="checkbox"/>	

Operation time		Required lifetime	
Cycles/hour (c/h) = <input type="text"/>	1-shift-operating <input type="checkbox"/>	in cycles (z) Lz = <input type="text"/>	
Working days/year (d/y) = <input type="text"/>	2-shift-operating <input type="checkbox"/>	in kilometers Lkm = <input type="text"/>	
	3-shift-operating <input type="checkbox"/>	in years (y) Ly = <input type="text"/>	

Selection



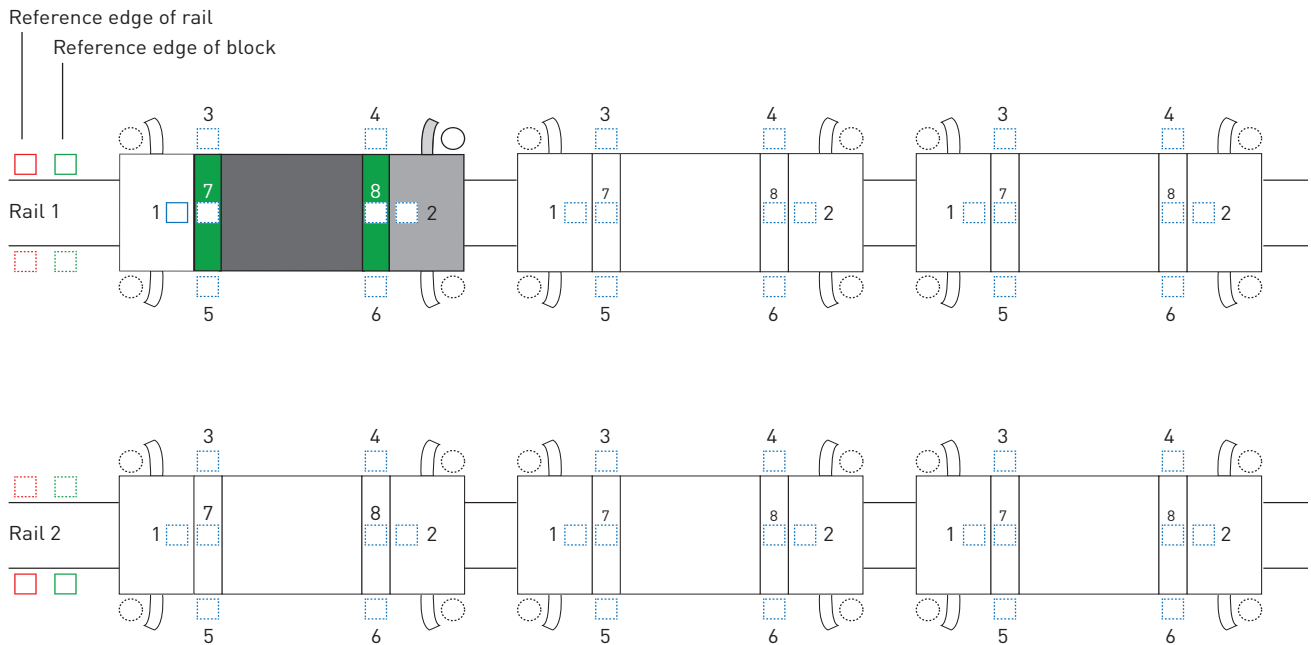
- Position of lubrication connection
 - Pos. 1, 2: frontside lubrication
 - Pos. 3, 4, 5, 6: side lubrication
 - Pos. 7, 8: lubrication from above

- Position of encoder cable outlet

— Standard (solid line)

-- Optional (dashed line)

Note: The frontside lubrication connection is not possible on read head!



If the $E_{1/2}$ dimensions are not indicated, the maximum possible number of mounting holes will be determined under consideration of $E_{1/2}$ min and will be carried out symmetrically.

Without specifying, the following standard lubrication adapters will be used:

- Frontside lubrication (Pos. 1, 2): M6 x 0,75 x 67,5°
- Side lubrication (Pos. 3, 4, 5, 6): M6 x 0,75 x 0°

For multi-part rails please specify the section lengths of each rail and the required E_1 and E_2 values.